

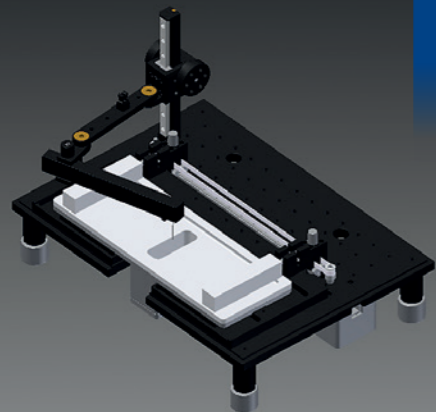
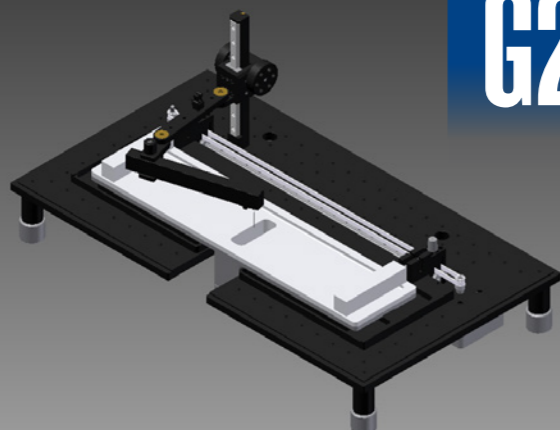
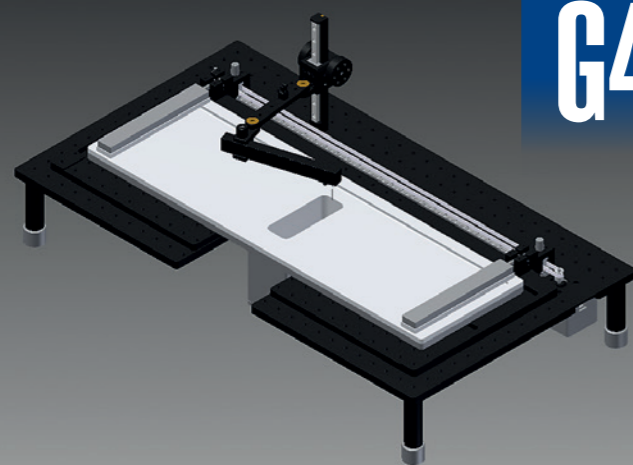
MicroTrough G-series

**YOUR OWN LANGMUIR AND
LANGMUIR-BLODGETT LABORATORY**

labotronic

The Leading Edge in Monolayers


Kibron

G1**G2****G4**

Trough Specifications	G1	G2	G4
Baseplate dimensions, WxL (mm)	274 x 378	290 x 540	415 x 740
Trough inner dimensions, DxWxL (mm)	5 x 80 x 260	5 x 80 x 405	5 x 155 x 600
Compression ratio	8,2	14	21,5
Surface area	208 cm ²	324 cm ²	930 cm ²
Dipping well dimensions, DxWxL (mm)	60 x 60 x 20	60 x 60 x 20	110 x 110 x 36
Volume Langmuir Trough	104 mL	162 mL	465 mL
Volume LB trough	187 mL	245 mL	900 mL
Microbalance range	0 - 300 mN/m		
Microbalance resolution	0,06 µN/m		
Barrier speed	0,004 - 280 mm/min		

MICROTROUGH — MULTIPURPOSE LANGMUIR AND LANGMUIR-BLODGETT INSTRUMENT



Sensor adjustment tool

LayerX Pro Dip Coater

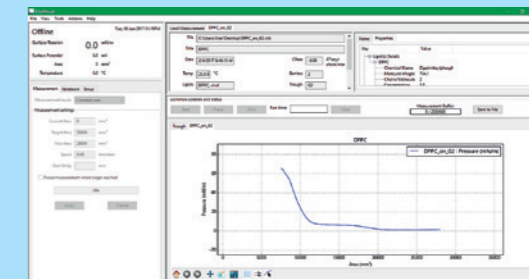
Temperature Probe

Compression barriers

Breadboard baseplate

Adjustable levelling feet

Dip Coater specifications	Small	Large
Dipping range (mm)	90	134
Speed range (mm/min)	0,06 – 300	0,06 – 300
Weight (kg)	0,5	1,5
Dimensions, H x W x L (mm)	165 x 55 x 35	275 x 125 x 75
Substrate thickness:	0-3 mm	0-3 mm
Maximum sample load	200 g	500 g
Power supply	USB	USB



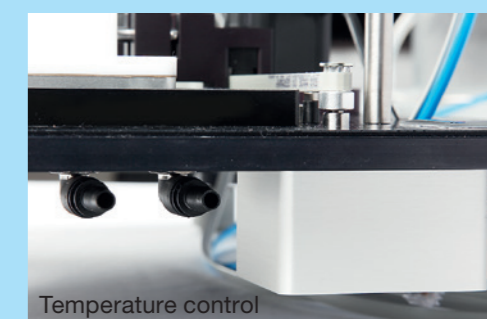
FilmWare 4.0 software

Kibron MicroTrough

The Kibron MicroTrough G Series is a family of open, yet modular Langmuir Blodgett Troughs flexibly engineered on a stable base frame accommodating all components for Langmuir Trough & Langmuir-Blodgett Trough experiments. The Langmuir trough & Langmuir-Blodgett trough tops and compression barriers are made from the purest PTFE on the market; the trough and dipping well are machined from a single block of PTFE.

Flexible accessories for the Langmuir-Blodgett Trough expand the range of experimental possibilities; dip coaters allowing thin film (monolayer) deposition on varying surfaces, Surface Potentiometer for surface potential measurements and troughs with optical windows to combine simultaneous microscopy measurements are available.

Stand alone, software controlled Dip coaters are available for use with all Kibron Langmuir troughs and can accommodate a wide range of substrate sizes for either Langmuir Blodgett (LB) deposition (vertical) or Langmuir Schaefer (LS) deposition (horizontal). Simple or Complex dipping profiles can easily be set up for multi-layer deposition as required.



Temperature control



Enclosure with hatch

For any options / custom features required please contact us to see how we can help you realize your Langmuir Trough goals

WITH THE ACCESSORIES OF YOUR CHOICE YOU CAN BUILD YOUR OWN COMPLETE LANGMUIR AND LANGMUIR-BLODGETT LABORATORY.

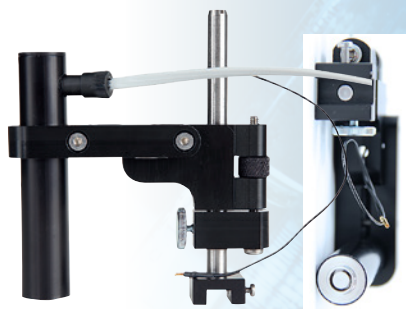


Dip Coater substrate holders

ACCESSORY FEATURES & BENEFITS

DyneProbe

- Inert metal alloy Ø 0.51mm
- Small diameter means minimal interference/disturbance during different experiments.
- Allows for small sample volumes
- Easy to clean, economical to use



Surface Potential – MicroSpot

Kibron MicroSpot is a miniature size plug-and-play accessory for recording surface potential of monolayers. MicroSpot uses non-destructive vibrating capacitor method and the trough bottom acts as the counter electrode. The noise is less than 1 mV.

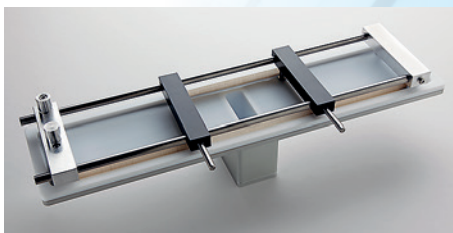


Electronics unit

- Easily connect and control a variety of analog and digital sensors; even up to four microbalances.
- Comes with a FilmwareX monolayer Control Software
- Upon request: ActiveX or Software & Drivers for command level control

Coating facility – LayerX Pro Dip Coater

LayerX Pro Dip Coater is an independent coating facility to transfer monolayer(s) to a solid substrate by the Langmuir-Blodgett (vertical) or Langmuir-Schaefer (horizontal) technique.



Ribbon Trough

Special compression mechanism designed for measurements at extremely high surface pressures (>70 mN/m). Ribbon Trough fits into the base plate of Microtrough and a Teflon ribbon forms a closed rectangular loop acting as a barrier.



Barriers

Compression barriers for the MicroTrough. All the systems come with barriers made of POM. Extra compression barriers made of PTFE are available.



Kibron Troughs

Removable and interchangeable Langmuir-Blodgett Trough tops either from PTFE or metal alloy allow the user to easily clean the trough between experiments. Systems can be easily configured according to the parameters for the monolayer film being studied; the inexpensive nature of the Langmuir Blodgett trough tops enables different researchers to consider having their own.



MORE TOOLS, PLATES, TROUGH AND OTHER ACCESSORIES ON WWW.KIBRON.COM



Kibron designs, engineers and manufactures world class tensiometers and Langmuir-Blodgett troughs as well as customer specified surface chemistry equipment. Since its founding, 1994, Kibron has focused on innovation, user benefits and dependable service.

Kibron Inc.

Malminkaari 23 A, FI-00700 Helsinki, tel +358 10 2811670, www.kibron.com, info@kibron.com

Distribuidor en exclusiva España: LABOTRONIC, S.L.

P.I. Acceso Sur, C/Grecia 57 nave 4D, 12006 Castellón www.labotronic.es info@labotronic.es